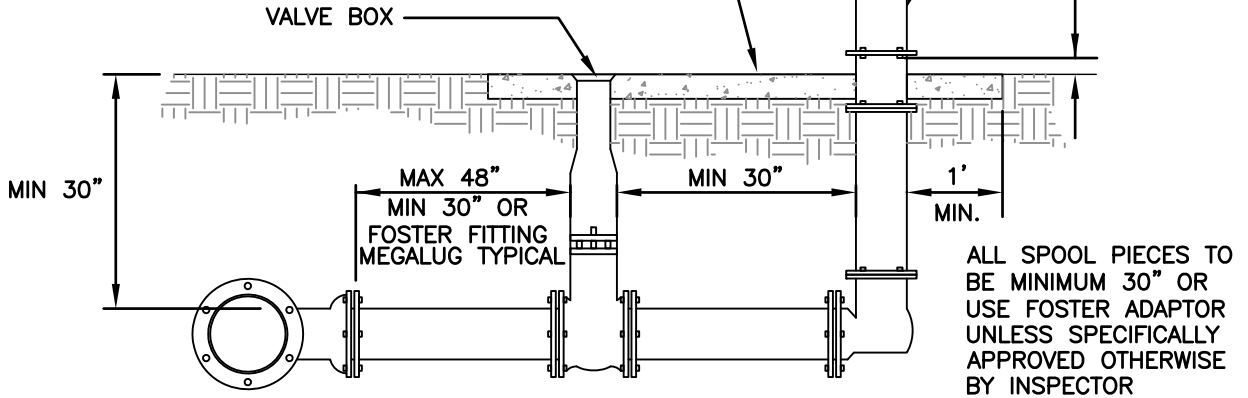


PAINT FIRE HYDRANT BODY  
SAFETY RED (WITHIN CITY LIMITS - SEE NOTES)  
SAFETY YELLOW (OUTSIDE CITY)

PAINT FIRE HYDRANT TOP & CAPS  
ALUMINUM (WITHIN CITY LIMITS - SEE NOTES)  
SAFETY WHITE (OUTSIDE CITY)

MUELLER MODERN CENTURION A-442 WITH  
SQUARE OPERATING NUT (SEE APPENDIX "A")  
TO BE LUBRICATED WITH NSF-61 FOOD GRADE  
MINERAL OIL.

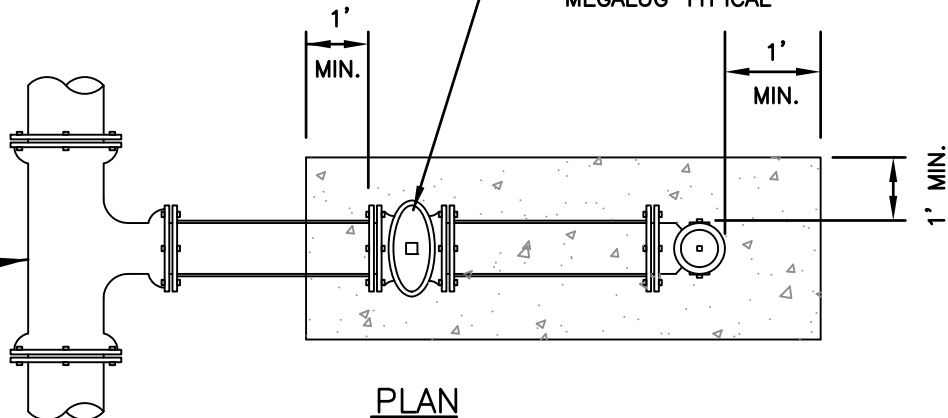
6" THICK CONCRETE SLAB LEVEL  
w/TOP OF GRADE  
3000 psi CONCRETE WITH #4 REBAR  
@ 12" O.C. EACH WAY



PROFILE

RESILIENT SEAT GATE VALVE  
MUELLER A2360-20  
MEGALUG TYPICAL

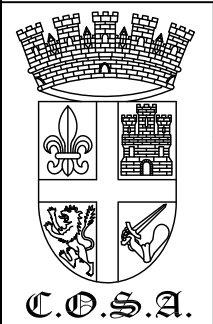
M.J D.I. TEE  
MEGALUG TYPICAL



PLAN

**NOTES:**

1. ALL METAL PARTS OF THE HYDRANT BOTH INSIDE AND OUTSIDE SHALL BE PAINTED BY THE CONTRACTOR IN ACCORDANCE WITH AWWA C501.
2. ALL INSIDE SURFACES AND THE OUTSIDE SURFACES BELOW THE GROUND LINE SHALL BE COATED WITH TWO (2) COATS OF ASPHALT VARNISH IN COMPLIANCE WITH NSF-61, THE FIRST COAT HAVING DRIED THOROUGHLY BEFORE THE SECOND IS APPLIED.
3. THE OUTSIDE OF THE HYDRANT ABOVE THE FINISHED GRADE LINE SHALL BE THOROUGHLY CLEANED AND PAINTED BY THE CONTRACTOR WITH ONE (1) COAT OF PRIMER PAINT OF A DURABLE COMPOSITION.
4. HYDRANTS LOCATED WITHIN CITY LIMITS SHALL BE PAINTED BY THE CONTRACTOR WITH ONE (1) ADDITIONAL COAT OF SAFETY RED AND ALUMINUM GLOSS ENAMEL PAINT, URETHANE ALKYD OR OTHER INDUSTRIAL COATING (SEE DETAIL). HYDRANTS LOCATED OUTSIDE CITY LIMITS SHALL BE PAINTED ACCORDING TO COUNTY SPECIFICATIONS.
5. SPOOL PIECE TO BE MIN. 30" OR USE FOSTER ADAPTOR APPROVED IN ADVANCE BY CITY.



**FIRE HYDRANT INSTALLATION**

REVISION  
DATE:

FEB 2017

NOT TO  
SCALE

W-12