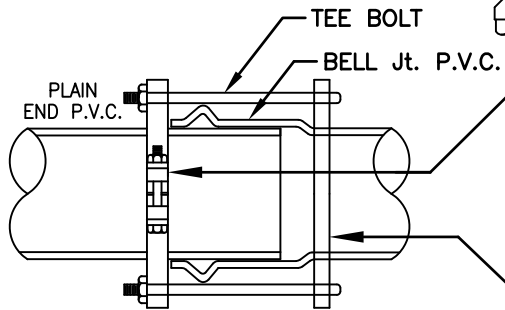
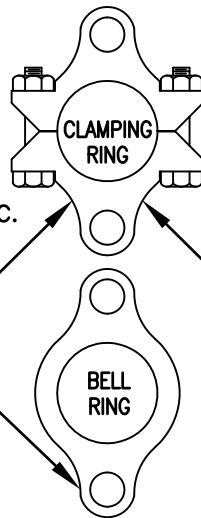


TYPICAL PROFILE \*  
 BELL Jt. TO PLAIN END  
 w/MECHANICAL RESTRAINERS

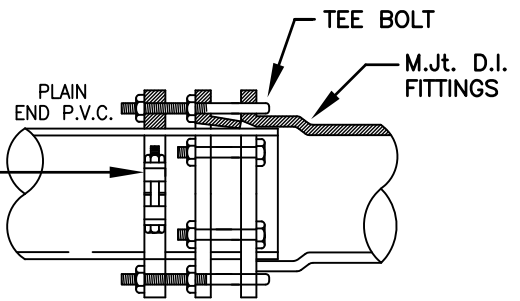


RESTRAINED  
 BELL JOINT



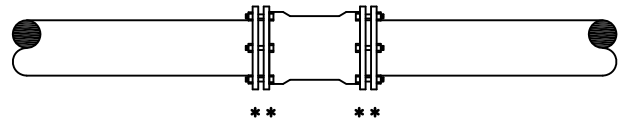
SECTIONS

TYPICAL PROFILE \*\*  
 MECHANICAL Jt. TO PLAIN END  
 w/MECHANICAL RESTRAINERS

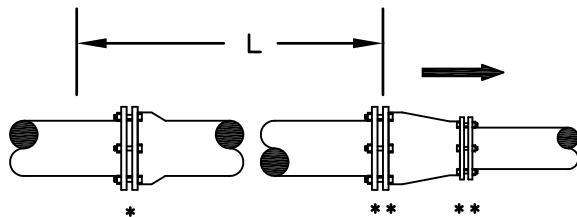


RESTRAINED  
 MECHANICAL JOINT

NOTE:  
 L = MIN. LENGTH OF PIPE TO BE  
 RESTRAINED ON EACH SIDE OF FITTING  
 (SEE DETAIL SS-38&W-31).



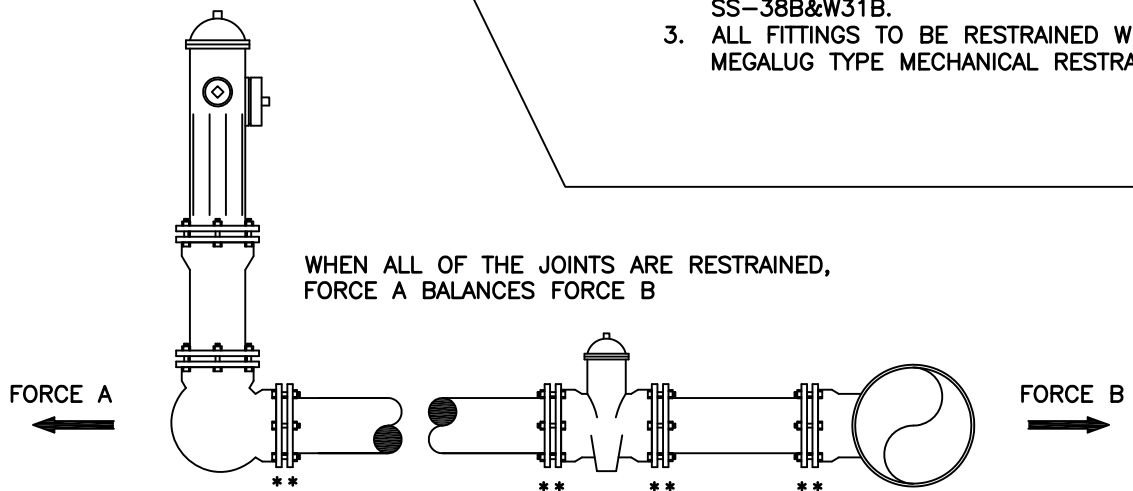
MECHANICAL JOINT SLEEVES



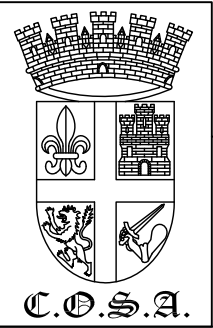
REDUCER

NOTES:

1. CONTRACTOR TO USE PROPER NUMBER OF RESTRAINTS.
2. ALSO SEE DETAILS SS-38&W31, AND SS-38B&W31B.
3. ALL FITTINGS TO BE RESTRAINED WITH MEGALUG TYPE MECHANICAL RESTRAINT.



FIRE HYDRANT LATERAL  
 (FOR WATER ONLY)



**MECHANICAL RESTRAINT DETAILS**

REVISION  
 DATE:

FEB 2017

NOT TO  
 SCALE

SS-38A&W-31A