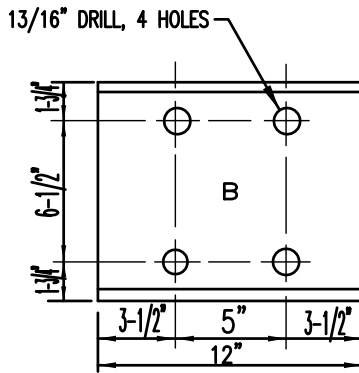
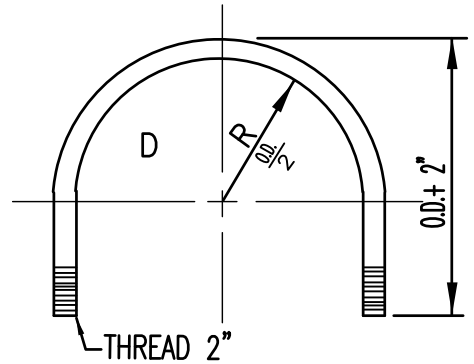


STANDARD 8" CHANNEL 11.5 LBS.

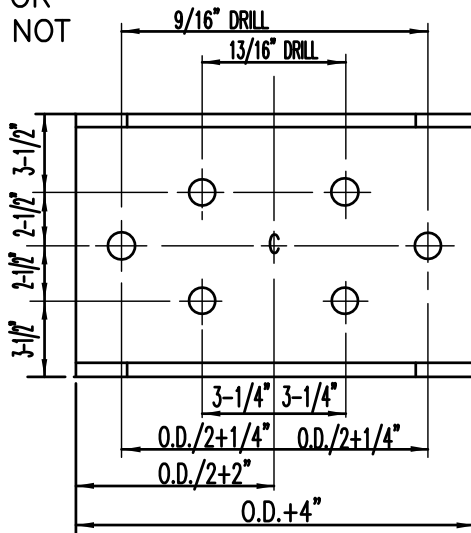


STANDARD 10" CHANNEL 15.3 LBS.



1/2" U-BOLT

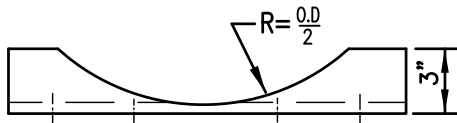
NOTE:
SEE DETAIL
SS-36&W-22 FOR
SPECIFICATIONS NOT
SHOWN HERE



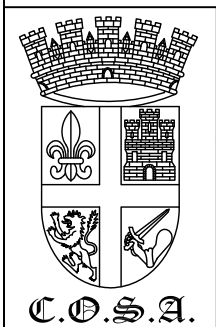
STANDARD 12" CHANNEL 25 LBS.

TABLE 2

PIPE	O.D.
3"	3.96"
4"	4.80"
6"	6.90"
8"	9.05"
10"	11.10"
12"	13.20"
14"	15.30"
16"	17.40"



NOTE:
ALL HARDWARE TO BE 316
STAINLESS STEEL. ALL
STRUCTURAL SHAPES TO BE
316L STAINLESS STEEL.



PIPE SUPPORT SADDLE ASSEMBLY
FOR PRESSURE MAIN

REVISION DATE:	FEB 2017
NOT TO SCALE	SS-37&W-23