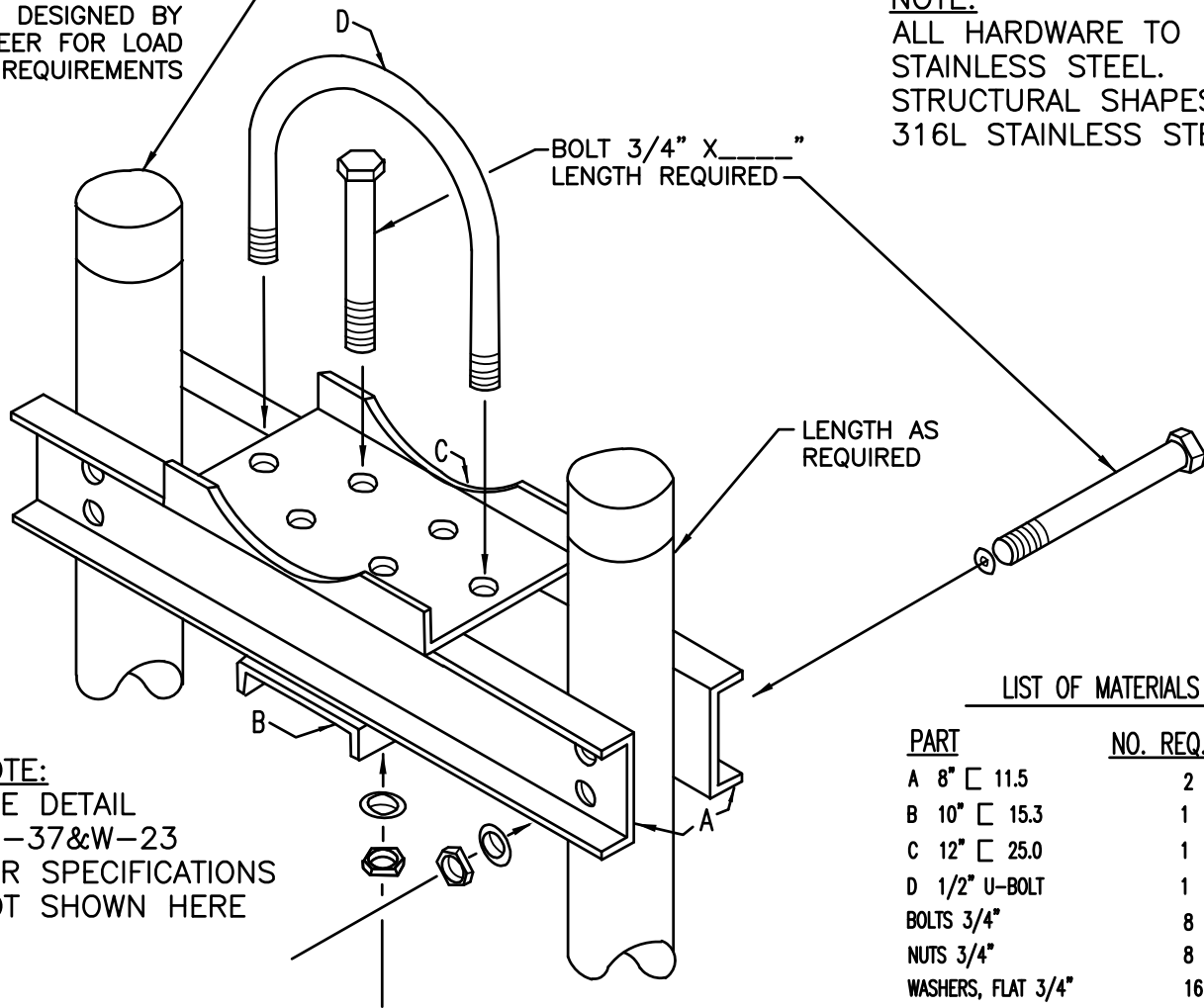


POLES TO BE
DESIGNED BY
ENGINEER FOR LOAD
REQUIREMENTS

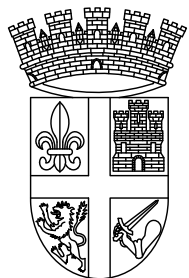


NOTE:
ALL HARDWARE TO BE 316
STAINLESS STEEL. ALL
STRUCTURAL SHAPES TO BE
316L STAINLESS STEEL.

NOTE:
SEE DETAIL
SS-37&W-23
FOR SPECIFICATIONS
NOT SHOWN HERE

LIST OF MATERIALS

<u>PART</u>	<u>NO. REQ. PER ASSMB.</u>
A 8" C 11.5	2
B 10" C 15.3	1
C 12" C 25.0	1
D 1/2" U-BOLT	1
BOLTS 3/4"	8
NUTS 3/4"	8
WASHERS, FLAT 3/4"	16
NUTS 1/2"	2
WASHERS, FLAT 1/2"	2
POLES	2
CAPS	2



C.O.S.A.

PIPE SUPPORT SADDLE ASSEMBLY
FOR PRESSURE MAIN

REVISION
DATE:

FEB 2017

NOT TO
SCALE

SS-36&W-22