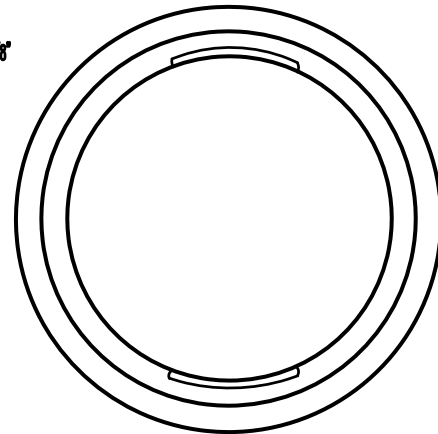
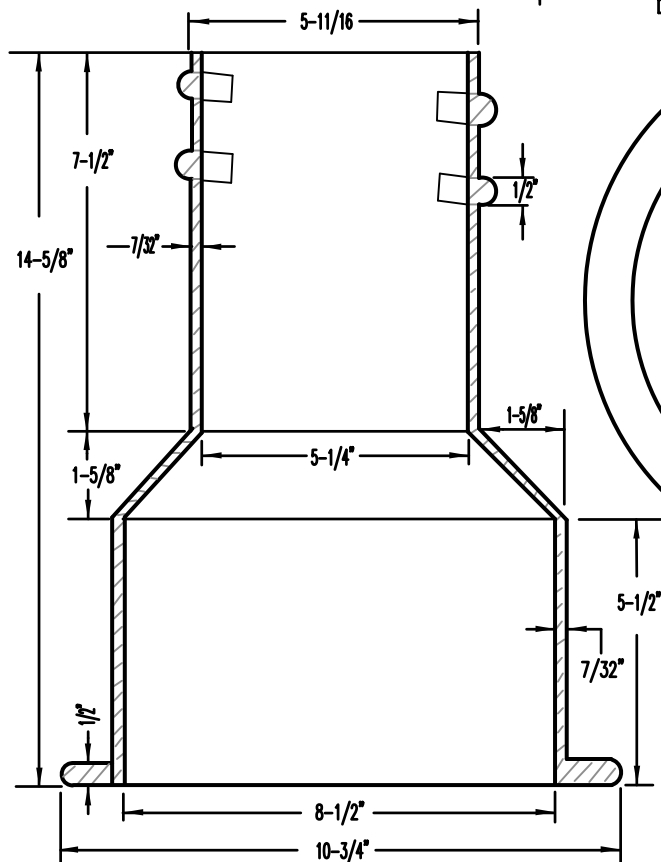


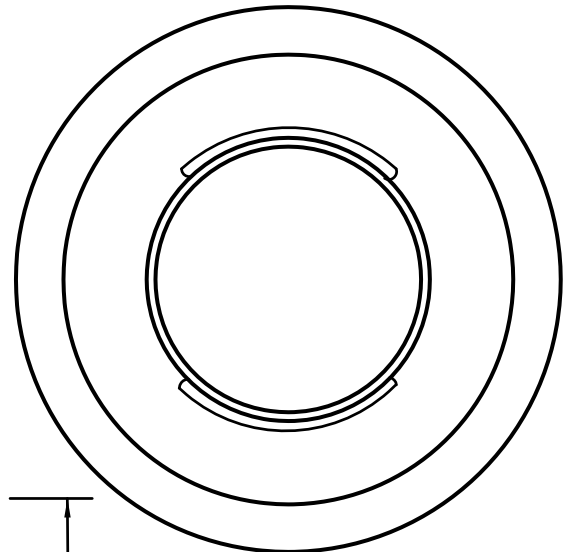
TOP SECTION VIEW



(23 LBS APPROX.)



BOTTOM SECTION VIEW

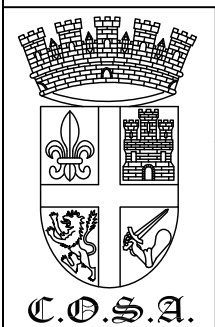


(26 LBS APPROX.)

NOTE: THREE SECTION
VALVE BOXES
ALSO ACCEPTABLE

NOTES:

1. ALL UNDERGROUND VALVES SHALL BE INSTALLED WITH AN ADJUSTABLE CAST IRON VALVE BOX WITH TOP SET TO FINAL GRADE. ALL VALVES SHALL HAVE PEG LOCATORS (145.7 KILOHERTZ).
2. ALL UNDERGROUND VALVES SHALL BE INSTALLED SO THAT THE OPERATING NUT IS ACCESSIBLE USING A STANDARD VALVE KEY. VALVE EXTENSIONS SHALL BE INSTALLED AS NECESSARY SO THAT THE OPERATING NUT IS A MAXIMUM OF 36" BELOW FINAL GRADE.



VALVE BOX

REVISION
DATE:

FEB 2017

NOT TO
SCALE

SS-32&W-17