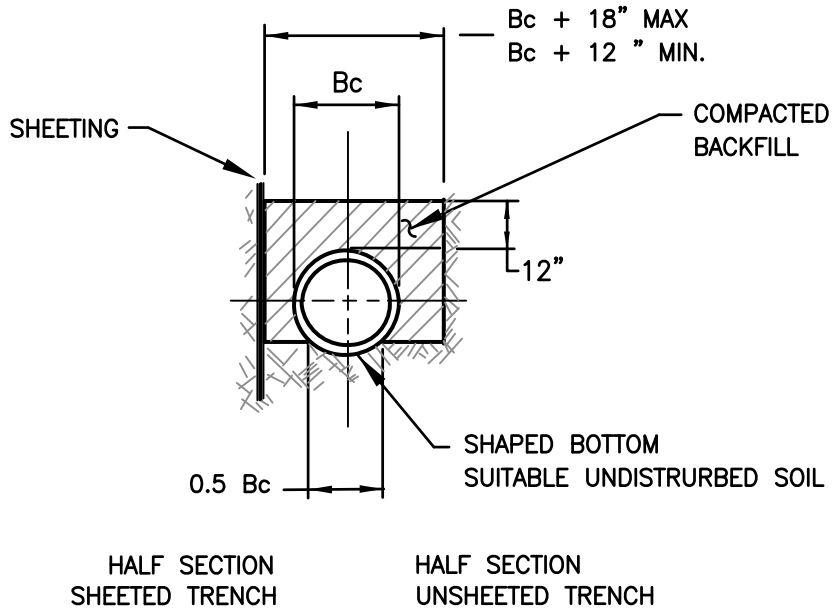
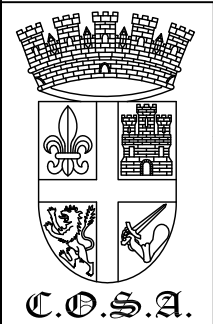


TYPE II
COMPACTED GRANULAR BEDDING



TYPE I
SHAPED BOTTOM WITH TAMPED BACKFILL

NOTE:
 COMPLY WITH FLORIDA TRENCH SAFETY ACT.



BEDDING DETAILS
 CLASS B

REVISION
 DATE:

FEB 2017

NOT TO
 SCALE

SS-27&W-43