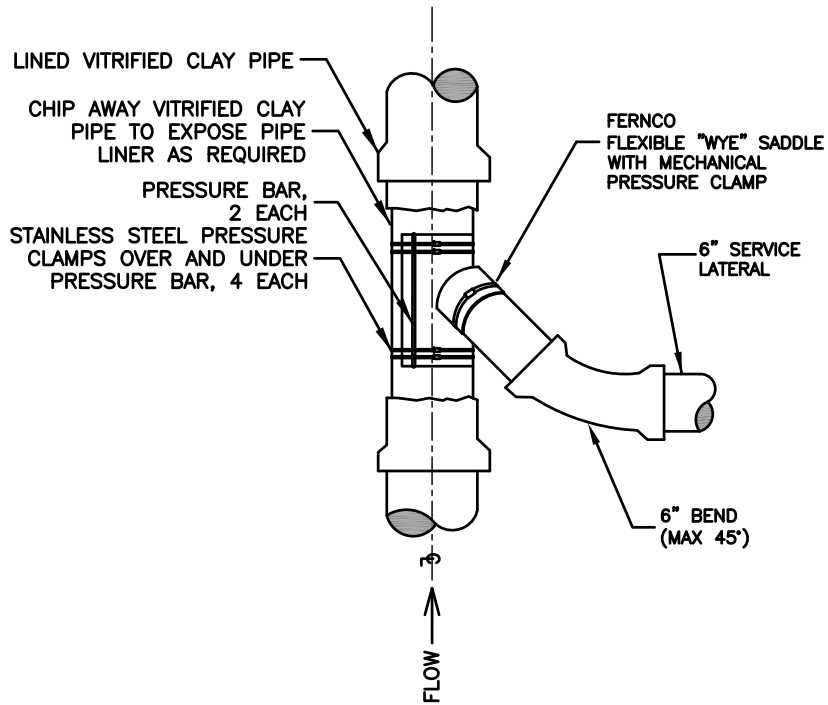
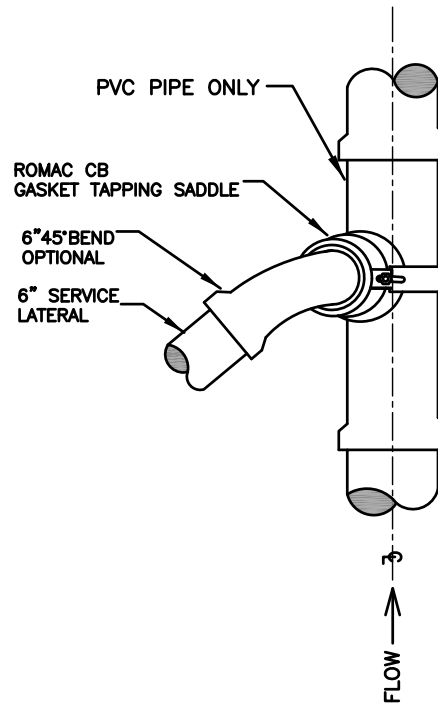


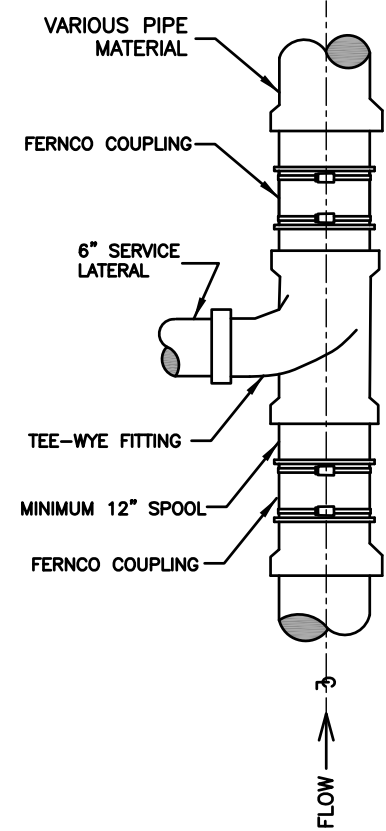
**SEWER SERVICE
CONNECTION
EXISTING LINED GRAVITY
SEWER MAIN**



**SEWER SERVICE
CONNECTION
EXISTING PVC GRAVITY
SEWER MAIN**



**CUT IN TEE-WYE
SEWER SERVICE
CONNECTION
EXISTING GRAVITY
SEWER MAIN**



NOTES:

CONTRACTOR TO PROVIDE SMOOTH FLOW LINE BETWEEN CONNECTION FITTING AND GRAVITY SEWER PIPE. CUT AND GRIND PIPE SUCH THAT A SMOOTH FLOW LINE IS PROVIDED.

PLACE CONNECTION FITTING ON THE 10 OR 2 O'CLOCK POSITION ON THE GRAVITY SEWER MAIN.



NEW CONNECTION TO EXISTING GRAVITY SEWER MAIN

REVISION DATE:	FEB 2017
NOT TO SCALE	SS-25