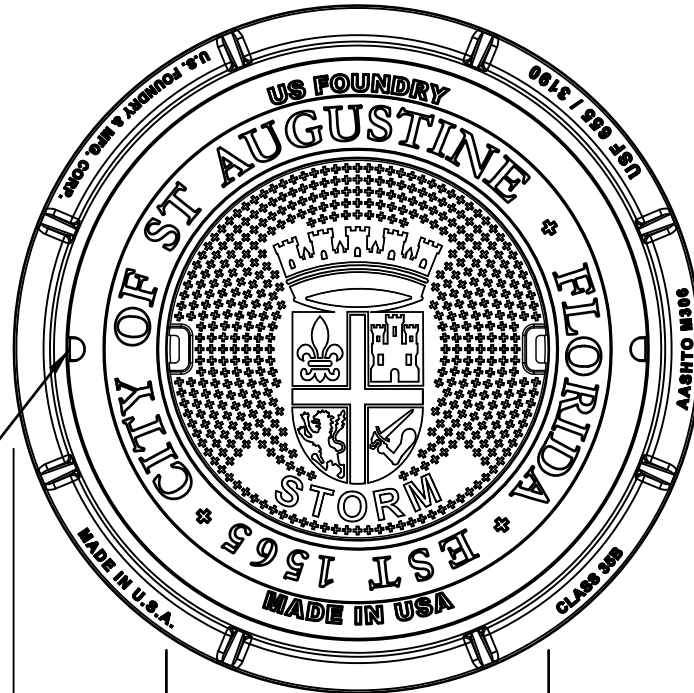


U.S. FOUNDRY
 CAST NUMBER
 USF655-WC-MN

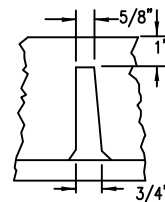
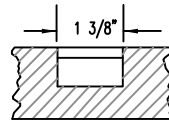
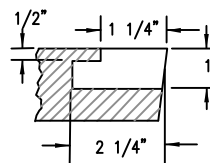
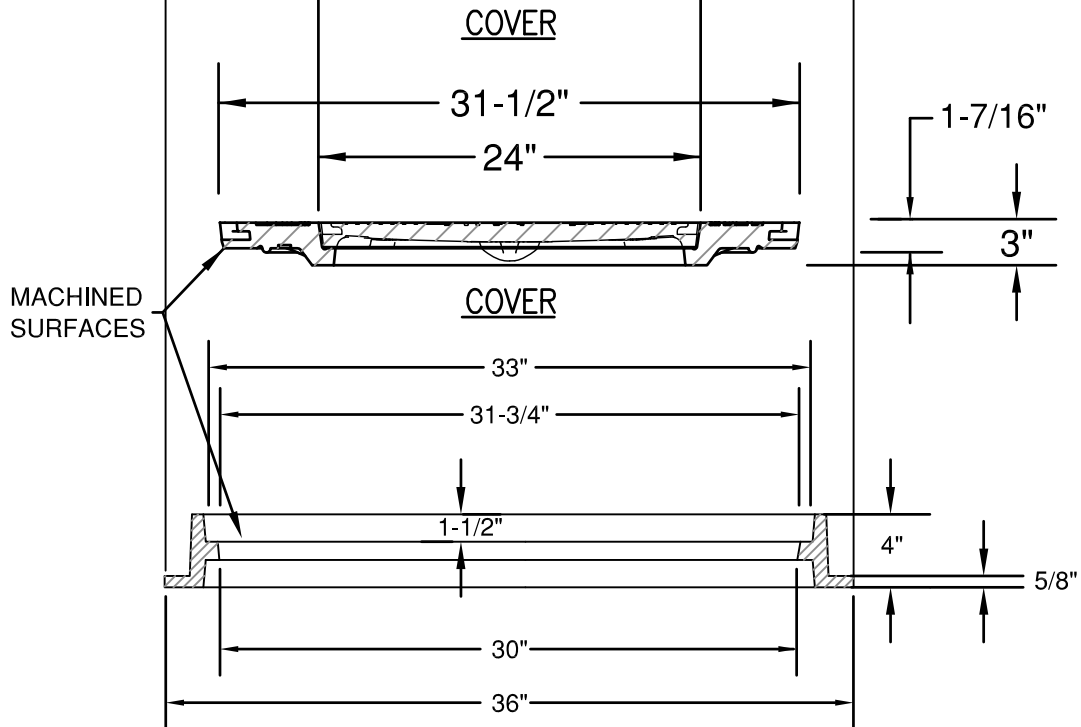
NOTE:
 COVER SHALL
 BE STAMPED
 "SEWER" OR
 "STORM" AS
 APPROPRIATE

2-CONCEALED
 PICKHOLES



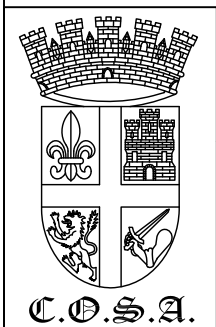
NOTE:

1. FRAME & COVER SHALL BE MACHINED OR GROUND AT ALL BEARING SURFACES SO AS TO SEAT FIRMLY AND PREVENT ROCKING.
2. COVER SHALL BE STAMPED "SEWER" OR "STORM" AS APPROPRIATE.
3. ALL MANHOLES SHALL INCLUDE INSERT PAN.



PICKHOLE DETAILS

RIB DETAIL



STORM/SEWER MANHOLE
 COVER AND FRAME

REVISION
 DATE:

FEB 2017

NOT TO
 SCALE

SS-1