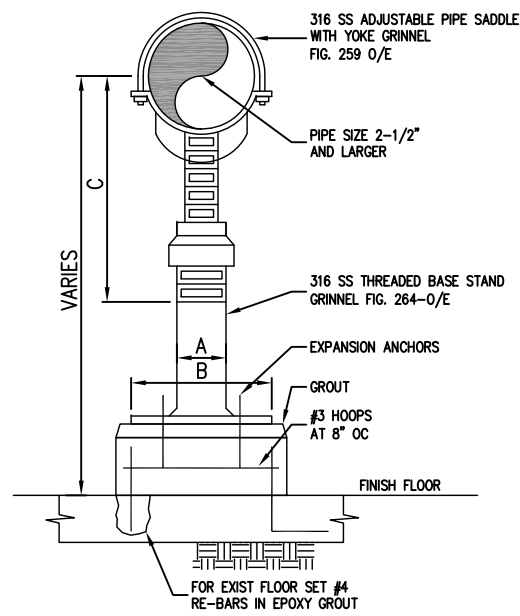


CITY OF ST. AUGUSTINE LIFT STATION DETAILS – SUPPLEMENTARY DETAILS

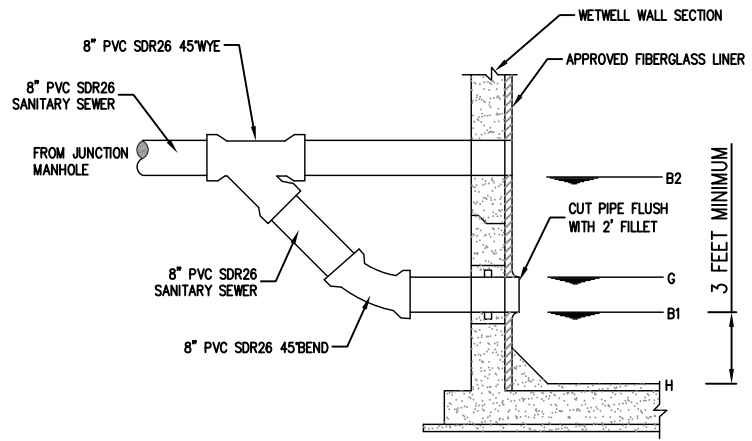


NOTES: STANCHION PIPE SUPPORT

1. PROVIDE HALF ROUND RIGID INSULATION AND ISULATION SHIELD, SIMILAR TO GRINNELL FIG. 167 OR ELCEN FIG. 219 WHEN PIPING IS INSULATED.
2. PROVIDE NEOPRENE WAFFLE ISOLATION PAD SIMILAR TO MASON TYPE "N" OR KORFUND KORPAD 40, UNDER SUPPORT FOOT WHEN PIPING IS ISOLATED OR SUPPORT IS ADJACENT TO MECHANICAL EQUIPMENT.
3. FOR BASE, HEIGHT, AND FLANGE DIMENSIONS, SEE TABLE.
4. ALL DIMENSIONS IN TABLE ARE IN INCHES.

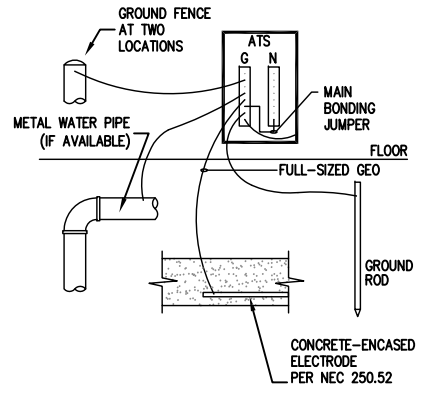
PIPE SIZE	A	B	C	
			MIN.	MAX.
2-1/2	2-1/2	9	8	13
3	2-1/2	9	8-1/4	13-1/4
3-1/2	2-1/2	9	8-1/2	13-1/2
4	3	9	9-1/4	14
5	3	9	10	14-3/4
6	3	9	10-1/2	15-1/4
8	3	9	11-3/4	16-1/2

PIPE SUPPORT
NOT TO SCALE



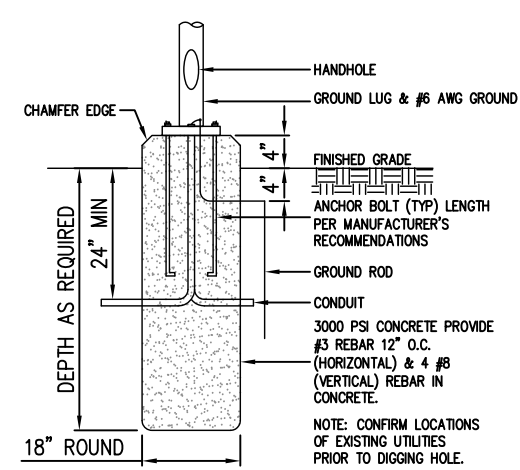
GRAVITY DROP CONNECTION DETAIL
NOT TO SCALE
REQUIRED FOR ALL PUMPING STATIONS

NOTE: IF DIMENSION BETWEEN B2 & B1 IS 2 FEET OR LESS, GRAVITY DROP CONNECTION IS NOT REQUIRED.

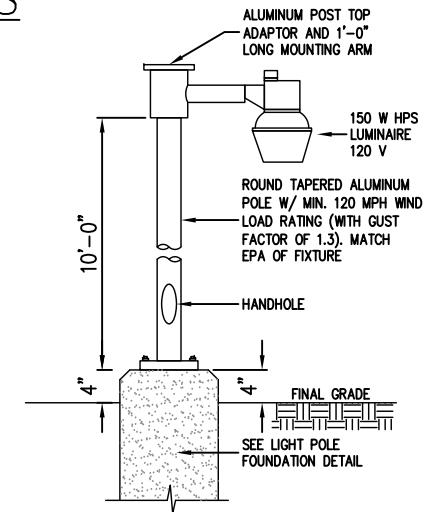


NOTE: BOND & GROUND ELECTRICAL SYSTEM PER NEC SECTION 250 AND ALL LOCAL CODES AND STATUTES. TEST GROUND 16060 TO ENSURE A MAXIMUM RESISTANCE TO GROUND OF 10 OHMS. ADD ADDITIONAL GROUND RODS AS NECESSARY TO MEET THIS REQUIREMENT. CONTRACTOR TO SUBMIT GROUND TEST RESULTS TO THE CITY.

GENERAL GROUNDING DETAIL
NOT TO SCALE

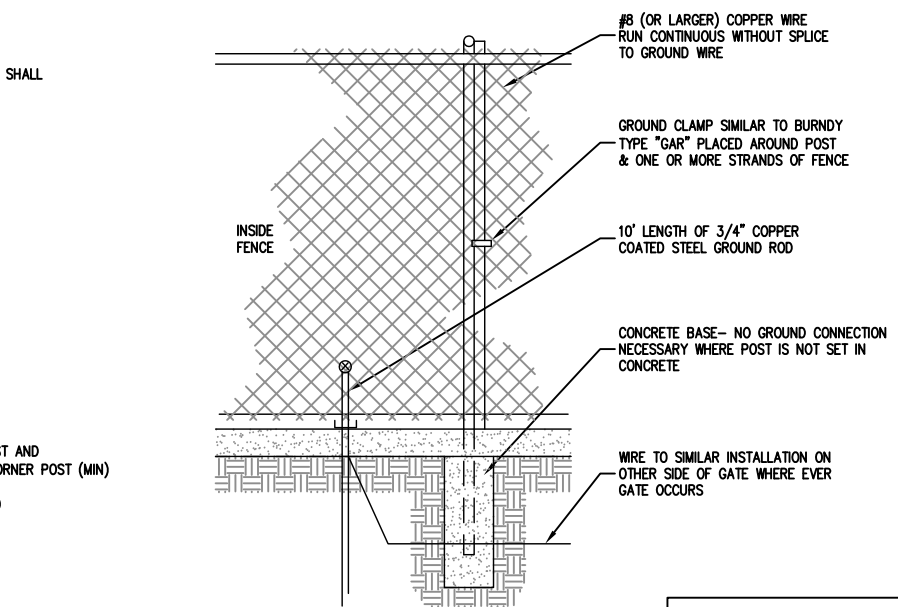
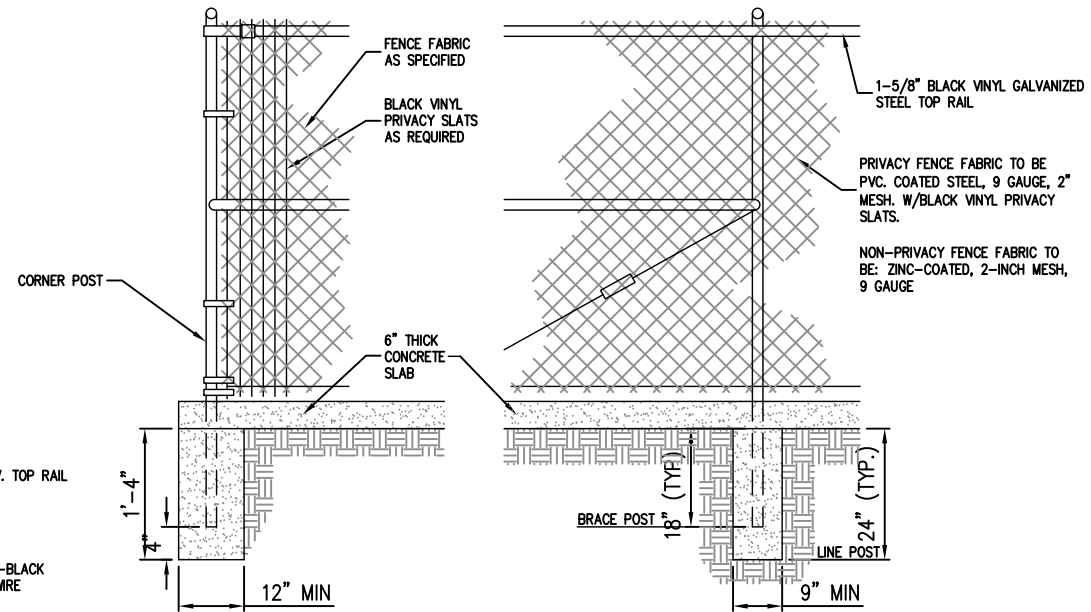


LIGHT POLE FOUNDATION
NOT TO SCALE

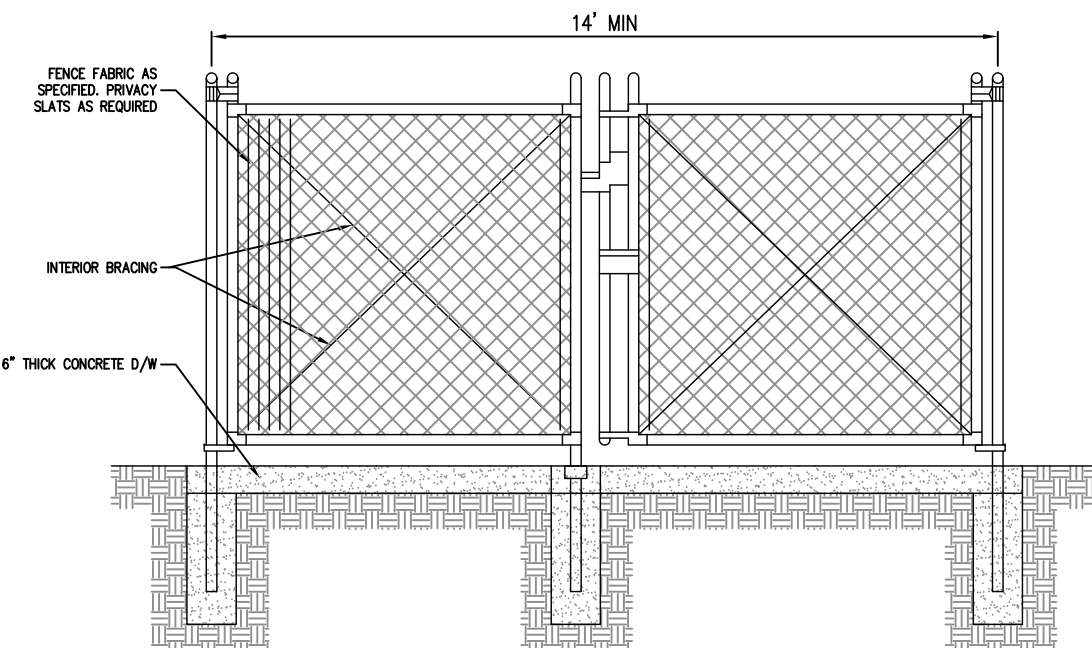


LIGHT POLE DETAIL
NOT TO SCALE

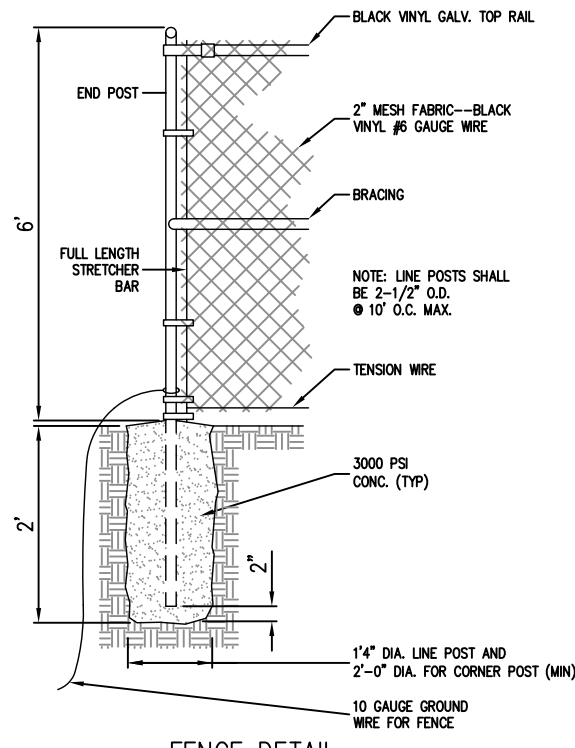
1. LUMINAIRE SHALL BE AS MANUFACTURED BY DAYBRITE OR APPROVED EQUAL (CAT No. WHP-150-S-XX-PE-12L-P)



FENCE DETAILS
NOT TO SCALE



DOUBLE GATE DETAILS
NOT TO SCALE



FENCE DETAIL
NOT TO SCALE

