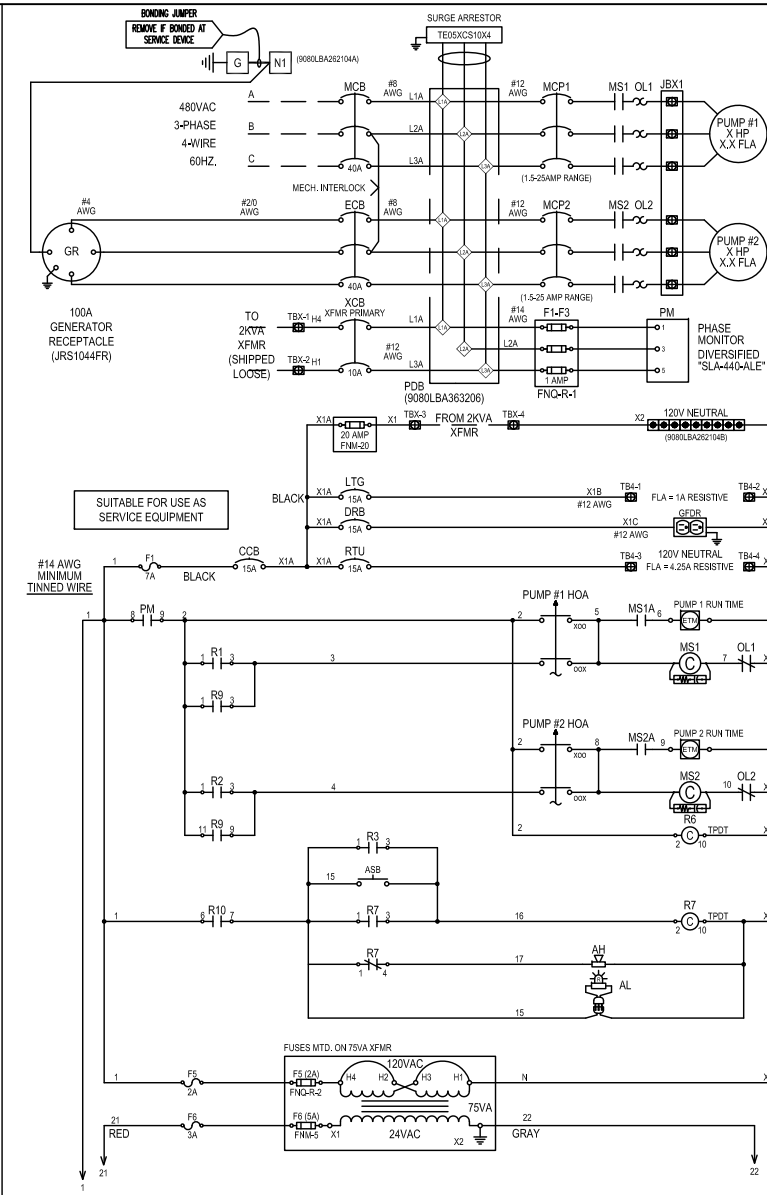
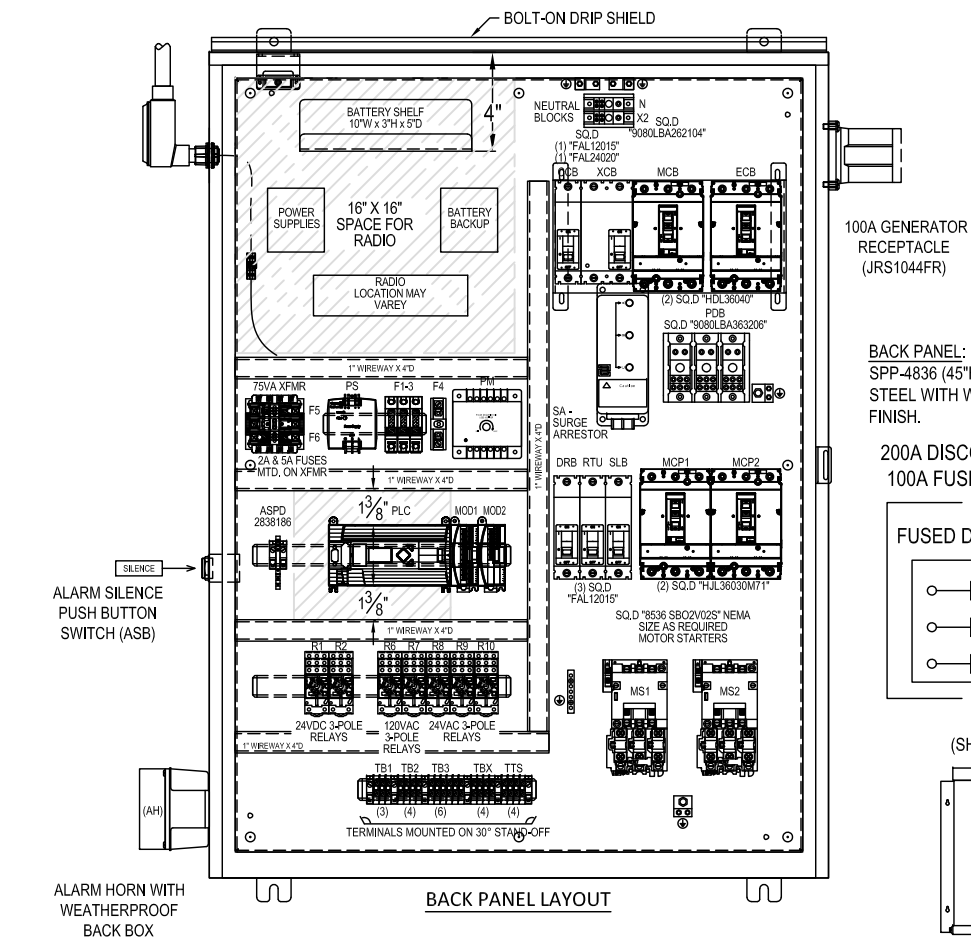
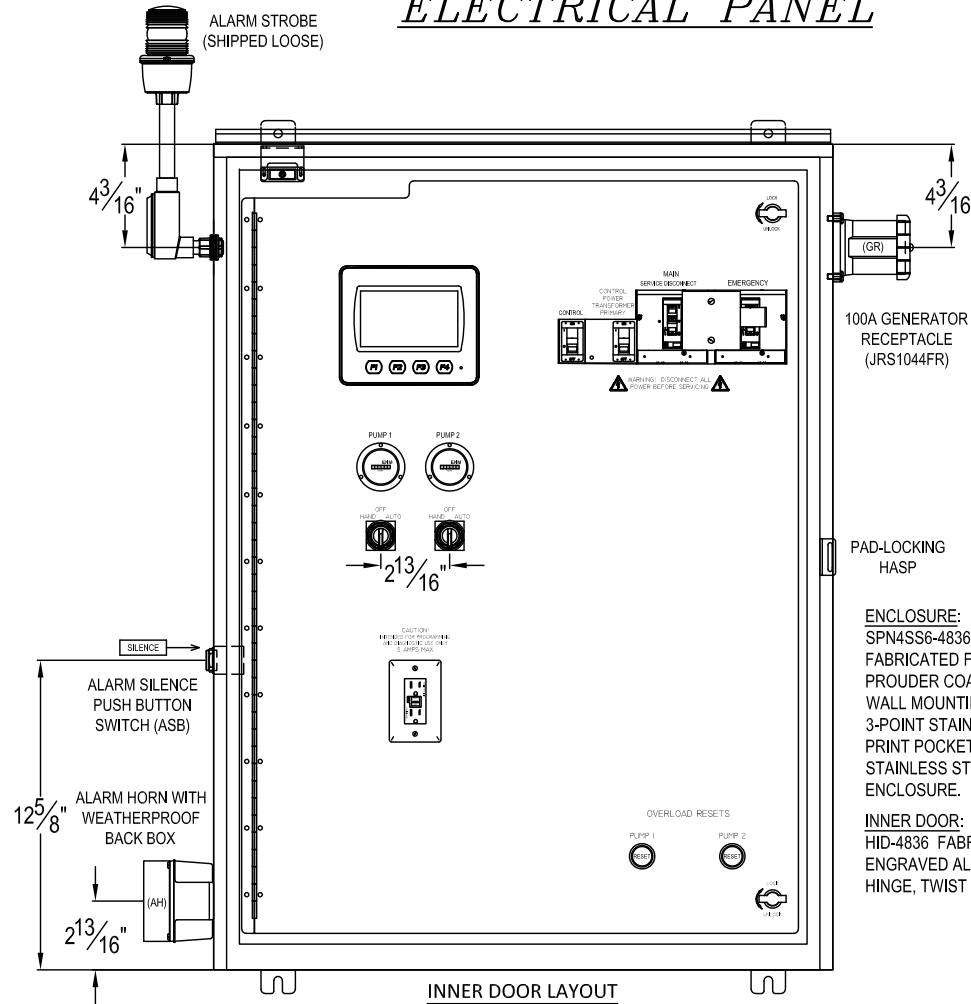
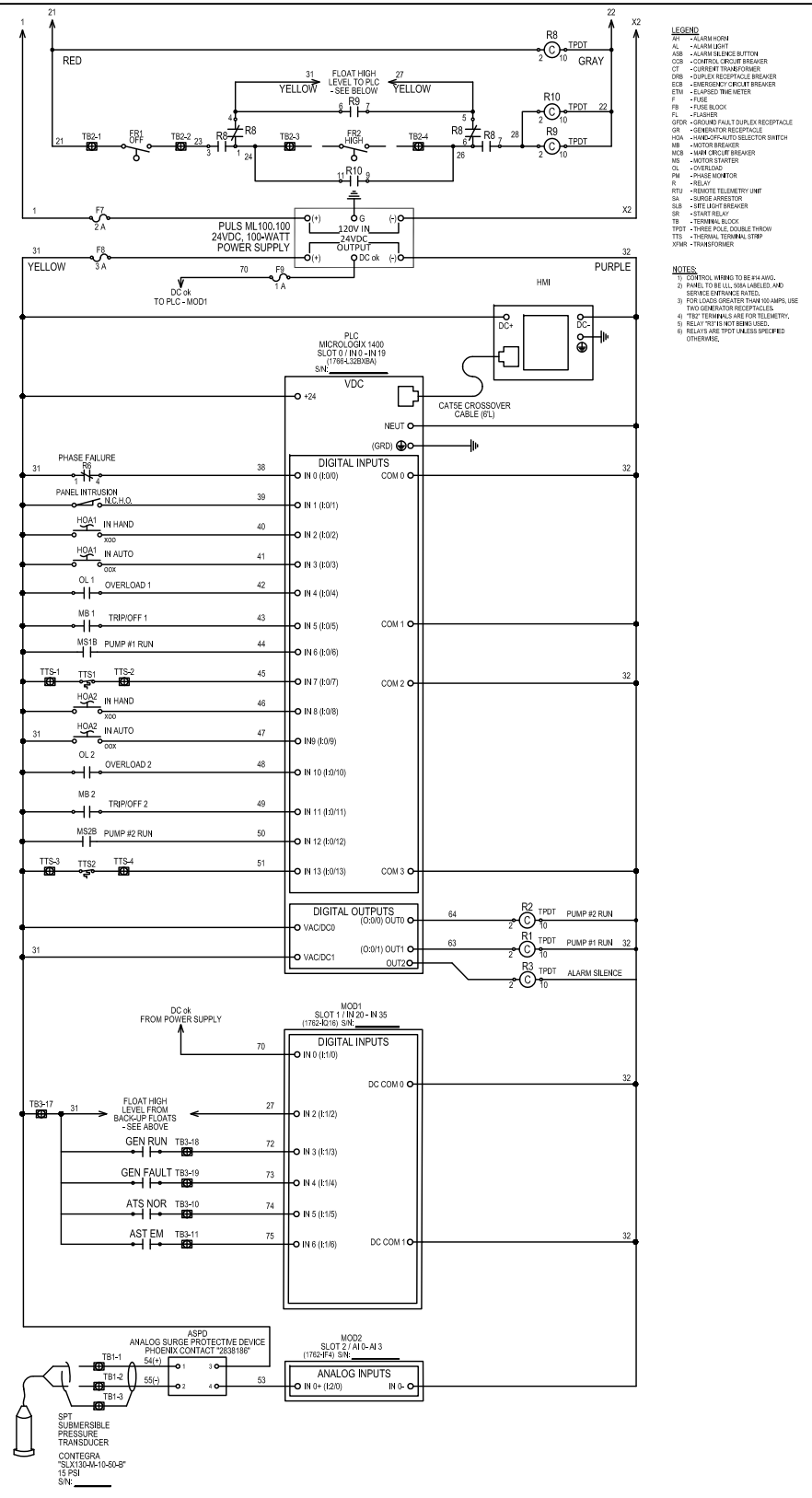


CITY OF ST. AUGUSTINE LIFT STATION DETAILS

ELECTRICAL PANEL



| Item | Description | Manufacturer | Partnumber | Qty | Spare |
|------|---|------------------|----------------------|-----|-------|
| 1 | Enclosure, NEMA 4X, Type 316 SS, 48"H X36"W X 12"D | Schaefer | SPN4SS6-483612 | 1 | |
| 2 | Back panel, Painted White Steel, 12 Gauge | Schaefer | SPP-4836 | 1 | |
| 3 | Hinged Innerdoor, 125 Black Aluminum | ECS | HID-4836 | 1 | |
| 4 | Surge Voltage Protection Modular Terimal Block, 24Vdc | Phoenix Contact | 2838186(TT-2PE-24DC) | 1 | |
| 5 | Lightning Arrester, 240/120VAC, 3 Phase, Delta, 4 Wire (B High Leg) plus Gr | APT | TE03XCS10 | 1 | |
| 6 | Generator Receptacle 600V, 100A, 4P, 4W | RussellStoll | JRS1044FR | 1 | |
| 7 | Circuit Breaker, 600VAC, 3Pole | Square D | HDL36100 | 2 | |
| 8 | Motor Circuit Protector, 600VAC, 3 Pole, 30-80A | Square D | HIL36100M73 | 2 | |
| 9 | Circuit Breaker, 120VAC, 1 Pole, 15A, 10KAIC | Square D | FAL12015 | 4 | |
| 10 | Circuit Breaker, 480VAC, 2 Pole, 20A, 18KAIC | Square D | FAL24020 | 1 | |
| 11 | Universal Lockout Plate | ECS | 690-002 | 1 | |
| 12 | Phase Monitor Relay, 3 phase (Base Mount) | Diversified | SLA-440-ALE | 1 | 1 |
| 13 | Starter, FVNR, NEMA, 208/240/480V, | Square D | 8536SBO2V02S | 2 | 1 |
| 14 | O/L Heaters, Class 20 Type B | Square D | B10.2 | 6 | |
| 15 | Overload Reset Pushbutton, NEMA 1 | Square D | 9066RA1 | 2 | |
| 16 | Transient Suppression Module | Square D | 99995T1 | 2 | |
| 17 | Control Power Transformer, 75VA, 120/240-24VAC | Square D | 9070TF75D23 | 1 | |
| 18 | Fuse, Slo-Blo, Time Delay, 250VAC, 5A | Bussmann | FNM-5 | 1 | 1 |
| 19 | Fuse, Slo-Blo, Time Delay, 250VAC, 20A | Bussmann | FNM-20 | 1 | 1 |
| 20 | Fuse, Slo-Blo, Time Delay, 500VAC, 1A (Rejection Type) | Bussmann | FNQ-R-1 | 3 | 3 |
| 21 | Fuse, Slo-Blo, Time Delay, 500VAC, 2A (Rejection Type) | Bussmann | FNQ-R-2 | 1 | 1 |
| 22 | Fuse Block, 1 Pole | Wago | 811-430 | 1 | |
| 23 | Fuse Block, 3 Pole, Class R, UltraSAFE | Bussmann | BM6031PQ | 1 | 1 |
| 24 | DC Power Supply 100 Watt 120/208/240VAC/ 1 Phase / 24-28VDC, 4.2 Amps | Puls | ML100.100 | 1 | 1 |
| 25 | PLC, Micrologix 1400 | Allen-Bradley | 1766-L328XBA | 1 | |
| 26 | Expansion Module, 16pt. Digital Input | Allen-Bradley | 1762-IQ16 | 1 | |
| 27 | 4 Channel Analog Input - Current/Voltage Module | Allen-Bradley | 1762-IF4 | 1 | |
| 28 | Maple Industries 7" GRAPHIS HMI | Maple Industries | HM15070P | 1 | |
| 29 | CATS Crossover Enet Patch Cord, 7ft, Blue | AllenTel | AT1507-REC | 1 | |
| 30 | Battery mounting bracket | ECS | BMB11 | 1 | |
| 31 | Relay, 11 Pin, Plug-in, 3PDT, 24DC(11 Pin) | Square D | RUMC328D | 2 | 1 |
| 32 | Relay, 11 Pin, Plug-in, 3PDT, 120VAC(11 Pin) | Square D | RUMC32F7 | 2 | 1 |
| 33 | Relay, 11 Pin, Plug-in, 3PDT, 24VAC(11 Pin) | Square D | RUMC32B7 | 3 | 1 |
| 34 | Pushbutton, 30 mm, NEMA 4X, Flush type, Universal | Square D | 9001SKR1U | 1 | |
| 35 | Sel. Sw., 30mm, NEMA 4X, 3 Pos. maintained, On-Off-On | Square D | 9001SKS438 | 2 | |
| 36 | Elapse Time Meter, Round, 6 Digit, 120VAC | ENM | 70000792 (T50B2) | 2 | |
| 37 | Snap Switch, Plunger Style Panel Mounting | Square D | 9007AP221 | 1 | |
| 38 | Alarm Horn, Silver, 4", 120VAC | Edwards | 876-N5 | 1 | |
| 39 | Weatherproof Back Box, Silver | Wheelock | WBB-S | 1 | |
| 40 | Ground Fault Circuit Interrupter, Snap - Connect, 15A 120VAC | Leviton | MN759-W | 1 | |
| 41 | Power Distr. Block, 600VAC, 175A, 2 pole | Square D | 9080BA262104 | 1 | |
| 42 | Power Distr. Block, 600VAC, 350A, 3 pole | Square D | 9080BA363206 | 1 | |
| 43 | Terminal, 600VAC, 60A, 1 pole | Square D | 9080GR6 | 21 | |
| 44 | Equipment Ground Bar Kit, 5pt., (1) #14-#4 or (2) #14 or #12 | Square D | PKSGTA | 1 | |
| 45 | Ground Lug, 2/0-14 AWG | Panduit | LAMA2/0-14-QY | 2 | |
| 46 | Ground Lug, Two Barrel 1/0-14 AWG | Thomas & Betts | ADR11-21 | 2 | |



| Item | Description | Manufacturer | Partnumber | Qty | Spare |
|------|--|--------------|-------------------|-----|-------|
| 47 | Fusible Disconnect Switch, 240VAC, 3 Pole, 200A | Square D | H324DS | 1 | |
| 48 | Control Power Transformer, 2000VA, 240/480-120/240VAC | Square D | Z51FSS | 1 | |
| 49 | Class RK1, 250VAC, 100 A, Dual Element, Time Delay Fuse (3 Spares) | Bussmann | LPN-RK-100SPI | 6 | 3 |
| 50 | Equipment Ground Bar Kit, 200 Amp | Square D | PKOGTA2 | 1 | |
| 51 | Neutral Assembly Insulated, 200 Amp | Square D | SN20A | 1 | |
| 52 | Red Strobe, 120 Volt AC, 1/2" NPT Female | Ingram | CT015F-R | 1 | 1 |
| 53 | Submersible Pressure Transducer, 4-20mA, 15 PSI, 50' cable, Breather | Contegra | SLX 130-M-10-50-B | 1 | |
| 54 | Spare Fuse, Slo-Blo, Time Delay, 250VAC, 5A | Bussmann | FNM-5 | 1 | 1 |
| 55 | Spare Fuse, Slo-Blo, Time Delay, 250VAC, 20A | Bussmann | FNM-20 | 1 | 1 |
| 56 | Spare Fuse, Slo-Blo, Time Delay, 500VAC, 1A (Rejection Type) | Bussmann | FNQ-R-1 | 2 | 1 |
| 57 | Spare Fuse, Slo-Blo, Time Delay, 500VAC, 2A (Rejection Type) | Bussmann | FNQ-R-2 | 1 | 1 |