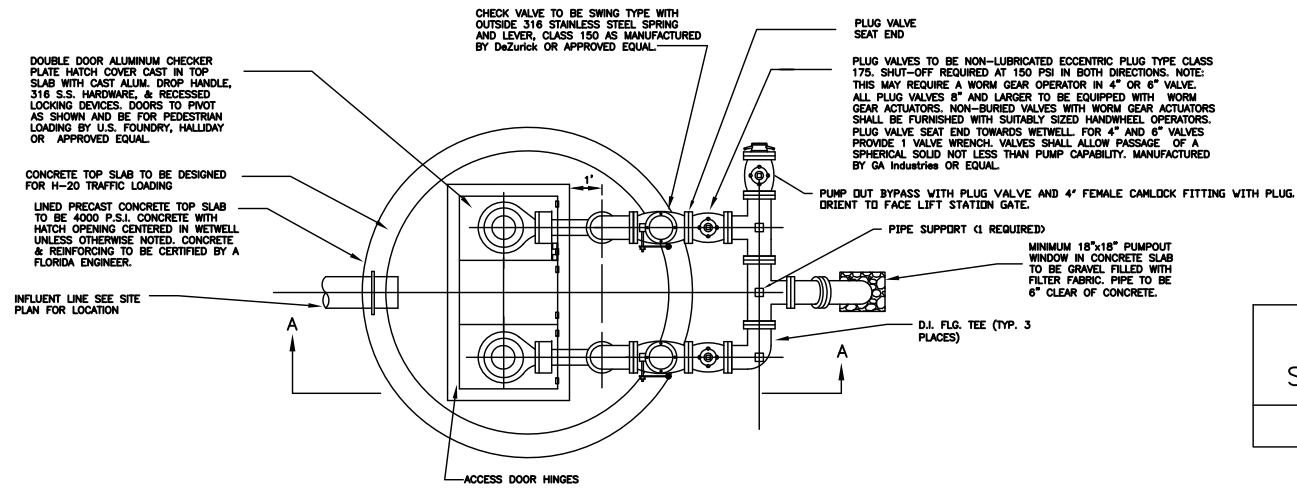


CITY OF ST. AUGUSTINE DUPLEX PUMPING STATION

PUMP STATION INFORMATION

SCHEDULE OF ELEVATIONS:

PUMP STATION STREET ADDRESS	TOP ELEV.	INFLUENT ELEV.	INFLUENT ELEV.	ALARM ELEV.	LEAD PUMP ON ON	LAG PUMP ON ELEV.	BOTH PUMPS OFF ELEV.	BOTTOM ELEV.	WET WELL DIA. (FEET)	DISCHARGE PIPE DIA. (INCHES)	DISCHARGE F.M. DIA. (INCHES)	BOT. SLAB OVERHANG (INCHES)	BOT. SLAB THICKNESS (INCHES)	PIPE HOLE DIAMETER (INCHES)	SITE GRADE ELEV.
	A	B1	B2	C	E	F	G	H	I	J	K	L	M	**N	P

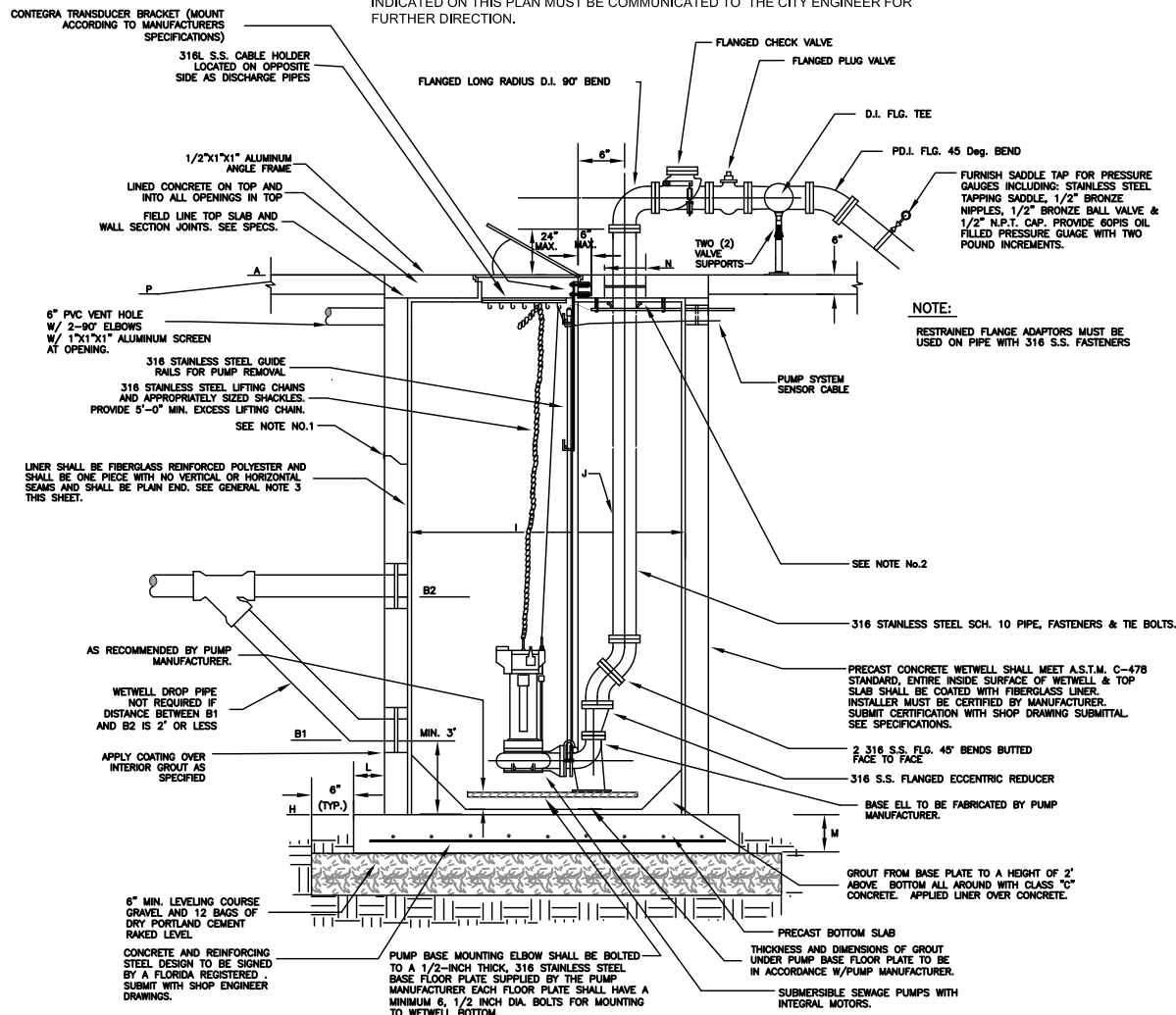


WETWELL - PLAN

N.T.S.

NOTE:

THE CONTRACTOR IS RESPONSIBLE FOR VERIFYING ALL ELEVATIONS CALLED OUT ON THIS PLAN SET FOR THE PUMP STATION PRIOR TO ORDERING OF ANY MATERIALS OR COMPONENTS FOR THE PUMP STATION. ANY DEVIATION OF THE ELEVATIONS INDICATED ON THIS PLAN MUST BE COMMUNICATED TO THE CITY ENGINEER FOR FURTHER DIRECTION.



WETWELL - ELEVATION

SECTION A-A N.T.S.

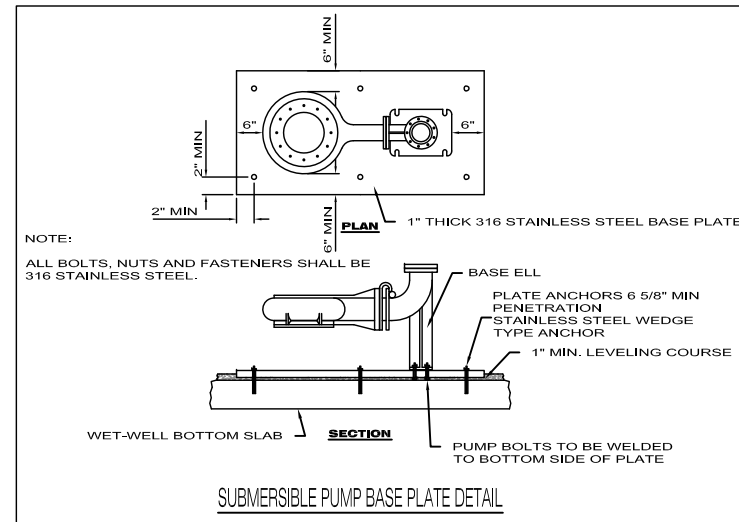
PUMP MANUFACTURER _____
 MODEL _____ IMPELLER _____
 DISCHARGE _____ MOTOR RPM _____
 _____ HP _____ VOLTS _____ PHASE _____ HZ
 DESIGN POINT _____ GPM AT _____ FT. TDH
 RUNOUT POINT _____ GPM AT _____ FT. TDH
 MAX. SPHERE _____ INCHES
 PUMP ACCESS HATCH SIZE _____ X _____
 PUMP CENTERLINE SEPARATION _____

NOTE: PUMPOUT SIZES

DISCHARGE F.M.	** DISCHARGE PIPING SIZE	PIPE HOLE DIAMETER (N)
4" FOR 4" & 6" DISCHARGE F.M.	4"	10"
6" FOR 8" DISCHARGE F.M.	6"	12"
8" FOR 10" & 12" DISCHARGE F.M.	8"	14.5"
12" FOR 14" AND LARGER DISCHARGE F.M.	10"	17"
PROVIDE D.I. FLG. REDUCING 90° BEND REDUCING TO 6" ON 8" AND LARGER PUMPOUT CONNECTIONS.	12"	20"

GENERAL NOTES:

1. ALL EXTERIOR JOINTS OF PRECAST CONCRETE WETWELLS SHALL BE SEALED WITH A RUBBERIZED ASPHALT MEMBRANE TAPE. TAPE SHALL BE PERM-A-BARRIER BY W.R. GRACE, ELASTOPLY BY KARNAK OR EQUAL.
2. ALL ANNULAR OPENINGS IN CONCRETE SHALL BE SEALED WITH NON-SHRINK GROUT AND WATERSTOPS.
3. LINER SHALL BE FIBERGLASS REINFORCED POLYESTER AND SHALL BE ONE PIECE WITH NO VERTICAL OR HORIZONTAL SEAMS AND SHALL BE PLAIN END. THE LINER SHALL BE FABRICATED IN ACCORDANCE WITH NBS PS 15-69 AND SHALL CONSIST OF COMMERCIAL GRADE POLYESTER RESIN, UV INHIBITOR, CHOP STRAND, WOVEN ROWING AND CONTINUOUS REINFORCEMENT. MINIMUM LINER THICKNESS SHALL BE ONE HALF INCH FOR ALL DIAMETER WELLS AND SHALL NOT HAVE EXTERNAL RIBS. CONCRETE SURFACE OF WETWELL SHALL BE CLEANED AND REFINISHED PER SPECIFICATIONS PRIOR TO PLACEMENT OF LINER. ANNULAR SPACE BETWEEN FIBERGLASS LINER AND CONCRETE STRUCTURE SHALL BE GROUT FILLED WITH NO VOIDS. ANNULAR SPACE BETWEEN STRUCTURE AND FIBERGLASS LINER SHALL BE 1"-3/4". GROUT TO BE PLACED IN TWO LIFTS WITH 24 HOUR SET PERIOD BETWEEN LIFTS. LINER TO BE PLUMB AND CENTERED.



**CITY OF ST. AUGUSTINE
LIFT STATION DETAILS
DUPLEX PUMPING STATION**

REVISION DATE:	FEB 2017
NOT TO SCALE	LS-1

